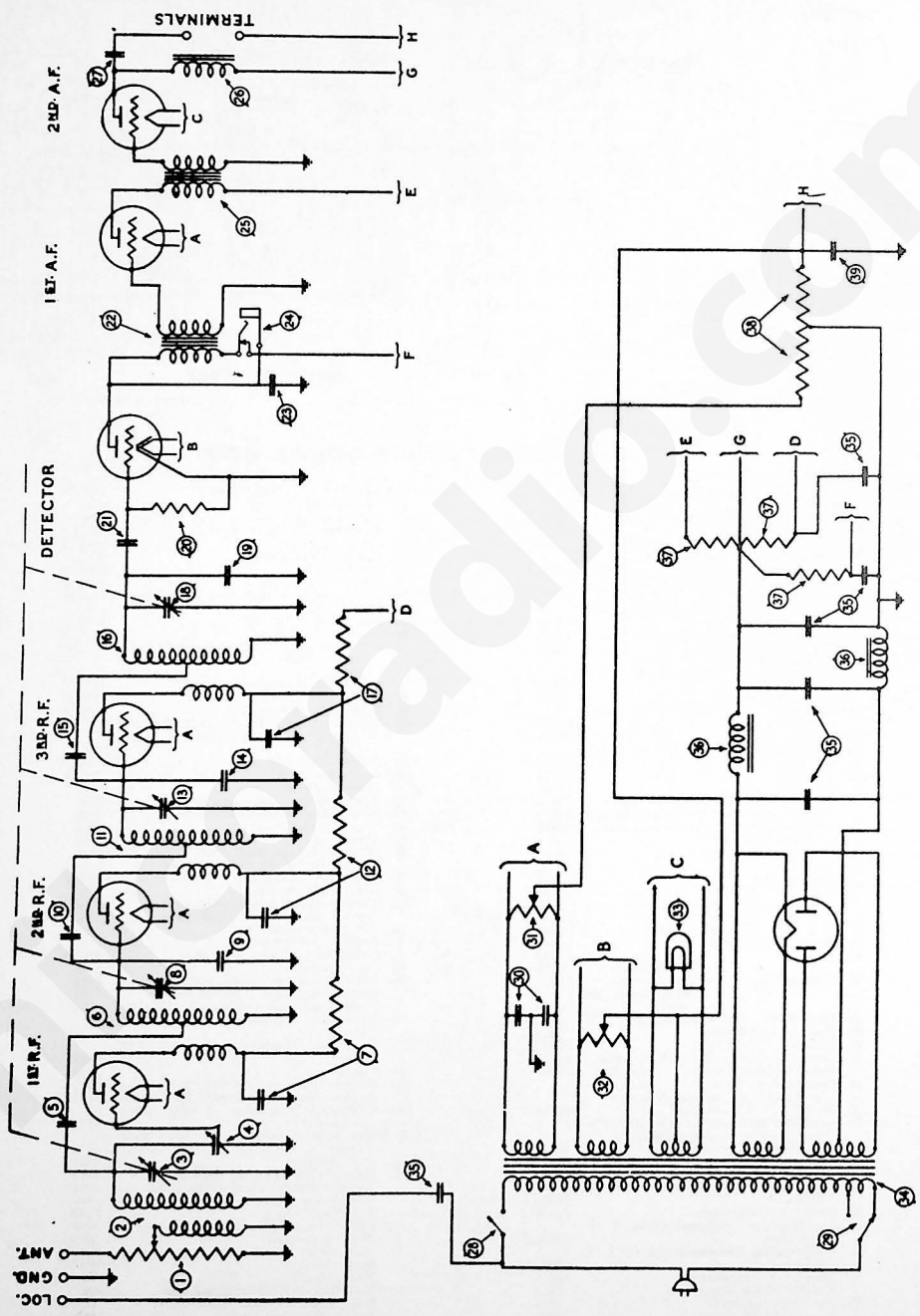
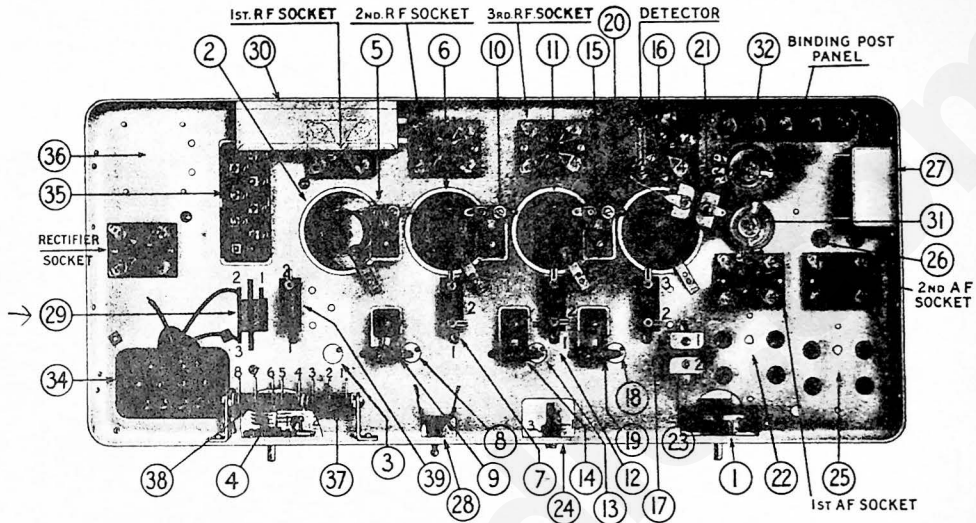


MODEL 511



MODEL 511



Replacement Parts for Model 511

NUMBER	NAME OF PART	FACTORY PART NUMBER (Order by this Number)		
①	Volume Control	3076		Pilot Lamp Socket Assembly 3043-A
①	R. F. Transformer (Antenna Tuning)	3075-B		Tube Socket Assembly - 4-hole 3051-A
① - ⑩ - ⑪	R. F. Transformer	3075-A		Tube Socket Assembly - 5-hole 3157-A
②	Range Control	3133		Tube Socket Insulator 4-hole - red 3124
	Tuning Condenser (complete with drum and shield)	3001-B		Tube Socket Insulator 4-hole - brown 3070
① - ⑫ - ⑬	Neutralizing Condenser	3025-A		Tube Socket Insulator 5-hole - brown 3158
⑦ - ⑭ - ⑮	Compensating Condenser	3025-B		Power Transformer - 50 - 60 cycle 3073
⑦ - ⑮ - ⑯	By-Pass Condenser .1 mfd. with Plate Resistance Winding	3114-A	⊗	Power Transformer - 25 - 40 cycle 3106
	By-Pass Condenser .001 mfd.	3081	⊗	Filter Condenser Block - 50 - 60 cycle 3108
⊗	Filament By-Pass Condenser (2 sections .5 mfd.)	3080	⊗	Filter Condenser Block - 25 - 40 cycle 3109
⊗	Grid Leak	3083	⊗	Filter Choke Coils Z-224
⊗	Grid Condenser	3082	⊗ - ⊗	B-C 5-section Resistor 3088 (A)
⊗ - ⊗	A. F. Transformer	3077	⊗ - ⊗	B-C 4-Section Resistor 3088 (W)
	Phonograph Pick-Up Jack	3087	⊗	B Resistor 70,000 ohms Z-129
⊗	Output Filter Choke	3078	⊗	By-Pass Condenser .1 mfd 3114
⊗	Output Filter Condenser .5 mfd.	3079		Terminal Panel Assembly 3084-A
⊗	Power Switch - Toggle	3117		Control Knob-Tuning Condenser 3035-A
⊗	Primary Tap Switch	3116		Control Knob - Volume and Range Control 3036-A
⊗	6-ohm Hum Adjustor	3096		A.C. Attachment Cord and Plug L-943-A
⊗	20-ohm Hum Adjustor	3086		Wiring Cable L-946
⊗	Pilot Lamp.	3106		Speaker Tone Filter 2946-B
				Fibre Adjusting Wrench 3168